



INSTRUCTION BULLETIN

No. 9012976
Machine: T17 / M17
Published: 07-2016
Rev. 01

NOTE: DO NOT DISCARD the Parts List from the Instruction Bulletin. Place the Parts List in the appropriate place in the machine manual for future reference. Retaining the Parts List will make it easier to reorder individual parts and will save the cost of ordering an entire kit.

NOTE: Numbers in parenthesis () are reference numbers for parts listed in Bill of Materials.

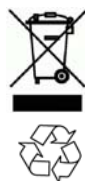
Installation instructions for **kit number 9020156 (T17 machines NA serial numbers 000000-010999 / EU serial numbers 0000-0330) / 9014965 (T17 machines NA serial numbers 011000- / EU serial numbers 0400-) (All M17 machines)**

SYNOPSIS:

This kit contains the parts needed to install the optional rollout battery kit on T17 scrubbers / M17 sweeper-scrubbers.
Please follow step-by-step instructions.

SPECIAL TOOLS / CONSIDERATIONS: NONE

(Estimated time to complete: 1 hour)



PROTECT THE ENVIRONMENT

Please dispose of packaging materials, used machine components such as batteries and fluids in an environmentally safe way according to local waste disposal regulations.

Always remember to recycle.

PREPARATION:

1. Park the machine on a clean level surface, turn off the machine, set the parking brake, and remove the key.

FOR SAFETY: Before leaving or servicing machine, stop on level surface, turn off machine, set parking brake, and remove key.

2. Disconnect the battery cable from the machine.



WARNING: Always disconnect battery cables from machine before working on electrical components.

3. Remove the battery from the machine.

FOR SAFETY: When servicing machine, use a non-conductive battery removal device, use a hoist and adequate assistance when lifting batteries, follow site safety guidelines concerning battery removal, and battery installation must be done by trained personnel.

INSTALLATION:

*NOTE: The rollout battery channel (1) weighs approximately 85 lbs (39 kg). Assistance is required for lifting the rollout battery channel. **Do Not** attempt to lift the rollout battery channel without assistance.*

1. Use a M6 hex screw (7), two flat washers (9), and a M6 hex nut (8) to install each of the three pairs of needle bearings (6) onto the rollout battery channel (1). (Fig. 1)
 2. Use one M5 socket screw (15) and one M5 hex nut (16) to install the limit switch (14) onto the rollout battery channel (1). (Fig. 1)
 3. **Machines equipped with the standard sized battery:** Use four M8 hex screws (12) and four flat washers (11) to install the guide plate (10) into the rollout battery channel (1). (Fig. 1)
- Machines equipped with a smaller sized battery:** Use four M8 hex screws (18) and four flat washers (11) to install the guide plate (10) into the rollout battery channel (1). (Fig. 1)

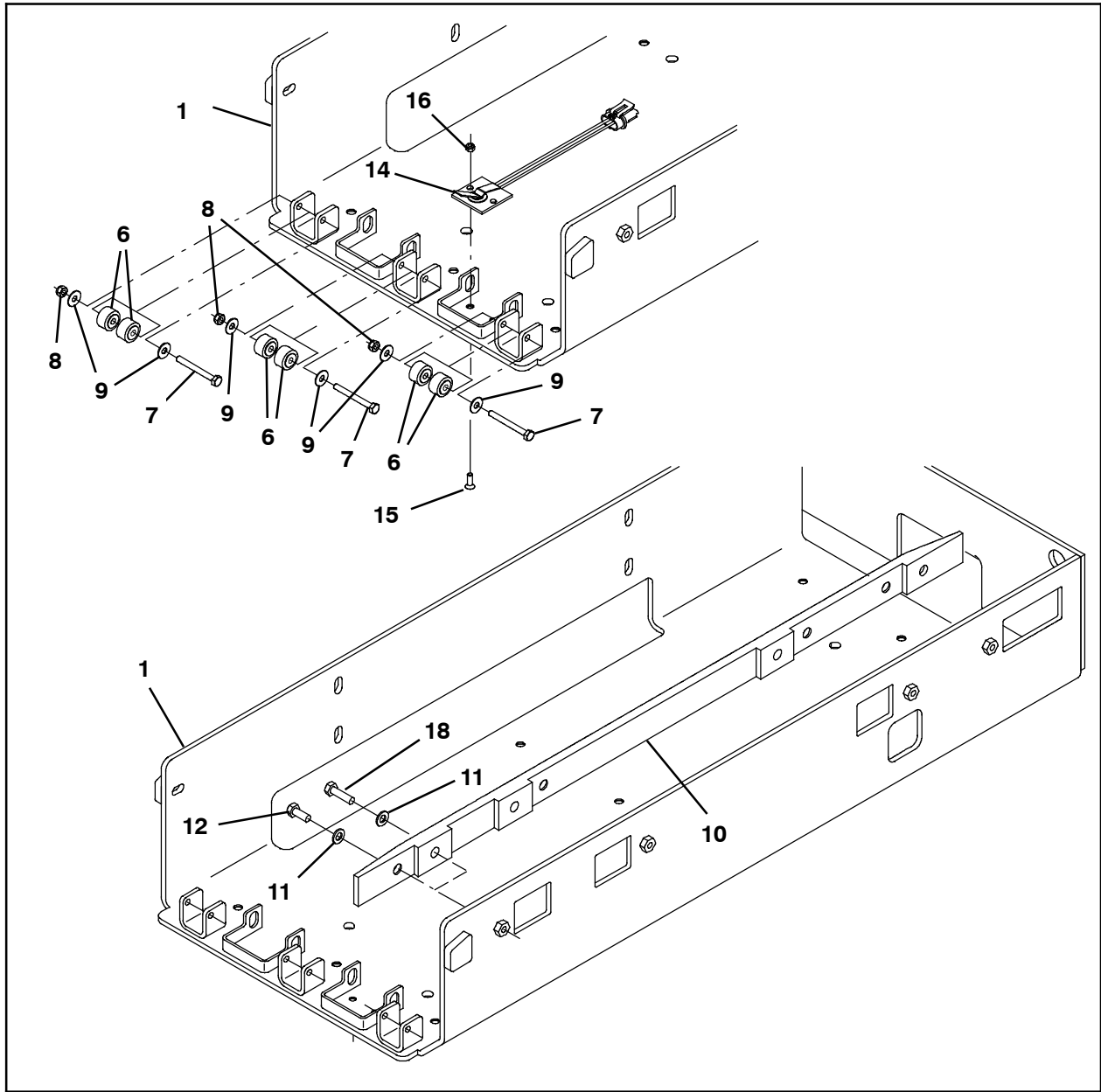


FIG. 1

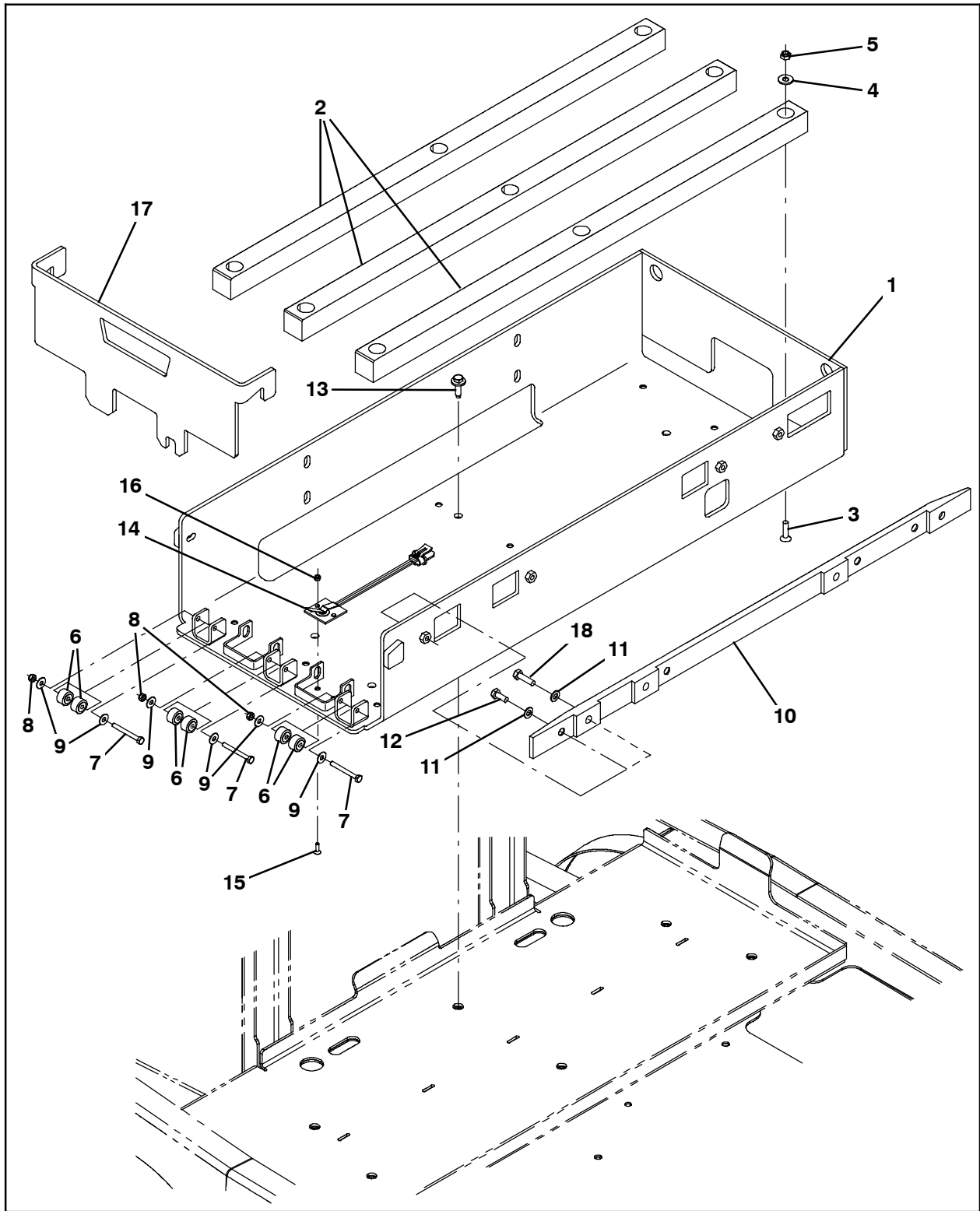


FIG. 2

4. Use three M8 flat screws (3), three flat washers (4), and three M8 hex nuts (5) to install the three plastic plates (2) into the rollout battery channel (1). (Fig. 2)

5. Use four M8 hex screws (13) to install the rollout battery assembly assembled in the previous steps into the battery compartment. (Fig. 2)

6. Connect the main wire harness to the rollout battery limit switch (14). (Fig. 3 / Fig. 4)

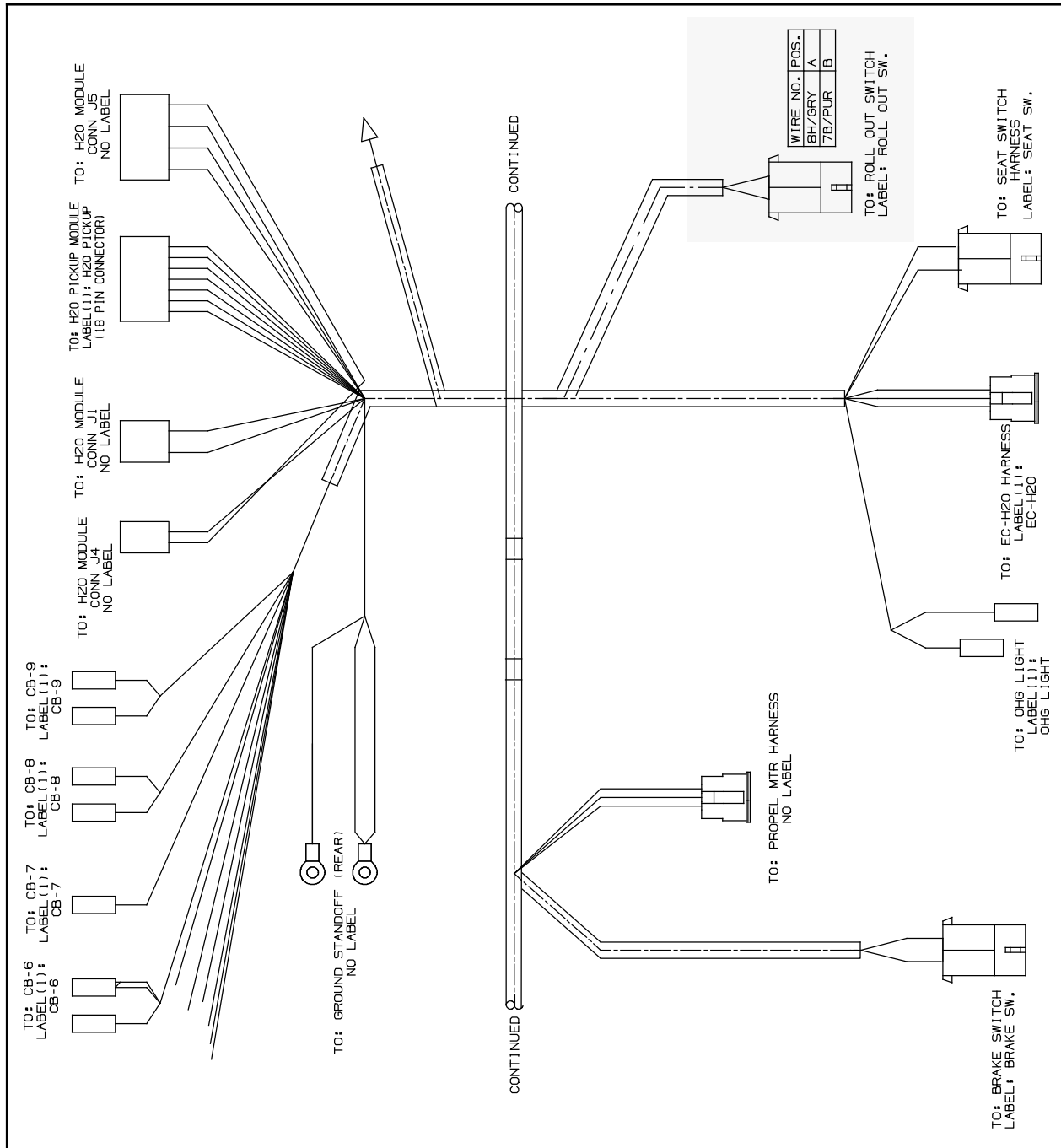


FIG. 3

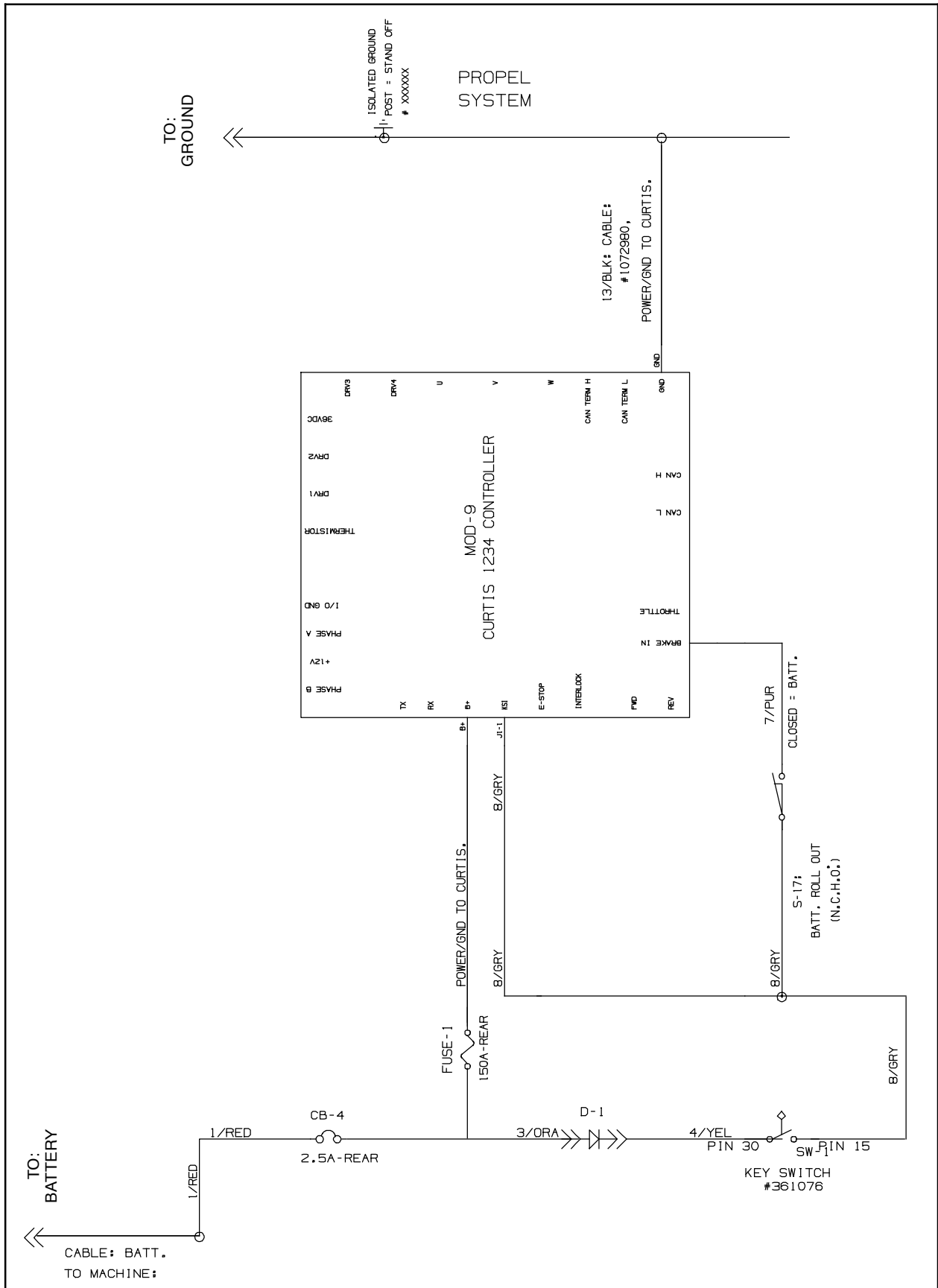


FIG. 4

7. Reinstall the battery into the machine and reconnect the battery cable to the machine.

FOR SAFETY: When servicing machine, use a non-conductive battery removal device, use a hoist and adequate assistance when lifting batteries, follow site safety guidelines concerning battery removal, and battery installation must be done by trained personnel.

8. Install the rollout battery door plate (17) onto the rollout battery assembly. (Fig. 2)

9. Start and test the machine: Turn on the machine, place the directional switch in the forward direction, and press the propel pedal. The machine should move forward.

Remove the rollout battery door plate (17) from the rollout battery assembly. Turn on the machine, place the directional switch in the forward direction, and press the propel pedal. The machine should not move and an error message should appear on the LCD display.

**Bill Of Materials For Battery Rollout Kit, DI [T17] - 9020156 /
Battery Rollout Kit, DI [T17] - 9014965**

Ref.	Tennant Part No.	Description	Qty.
1	1207912	Tray Wldt, RO Battery, [T17] (Kit 9020156 Only)	1
1	1225437	Tray Wldt, Battery, R/O [T17] (Kit 9014965 Only)	1
2	1208527	Plate, Plstc, Bat Rollout	3
3	79506	Screw, Flt, Soc, M8 X 1.25 X 30, SS	9
4	01685	Washer, Flat, 0.38b 0.88d .08, SS	9
5	08713	Nut, Hex, Lock, M8 X 1.25, NI, SS	9
6	369415	Bearing, Needle, 0.25b 0.88d 0.50w	6
7	58979	Screw, Hex, M6 X 1.00 X 55, FI, SS	3
8	08712	Nut, Hex, Lock, M6 X 1.00, NI, SS	3
9	01684	Washer, Flat, 0.27b 0.69d .05, SS	6
10	1209368	Plate, Guide, Battery Rollout [T17]	1
11	39349	Washer, Flat, 0.31, SAE	4
12	09740	Screw, Hex, M8 X 1.25 X 20, SS (Large Battery)	4
13	1037355	Screw, Hex, M8 X 1.25 X 35, 9.8, SEMS	6
14	1210673	Switch, Limit, N.C. [Cpi, Spst, 280 Mp]	1
15	09120	Screw, Flt, Soc, M5 X 0.80 X 16, 10.9	2
16	06549	Nut, Hex, Lock, M5 X 0.80, NI	2
17	1208673	Plate, Door, Battery Rollout [T17]	1
18	09010	Screw, Hex, M8 X 1.25 X 25, SS (Small Battery)	4

TENNANT COMPANY
P. O. Box 1452
Minneapolis, MN 55440-1452